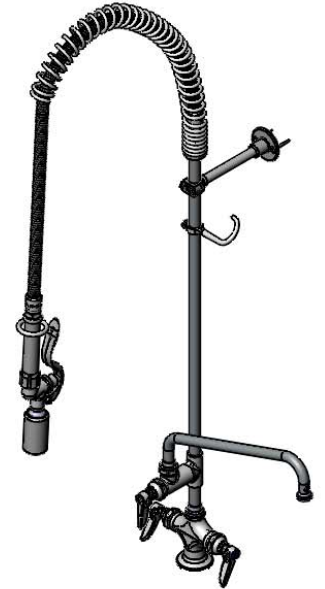
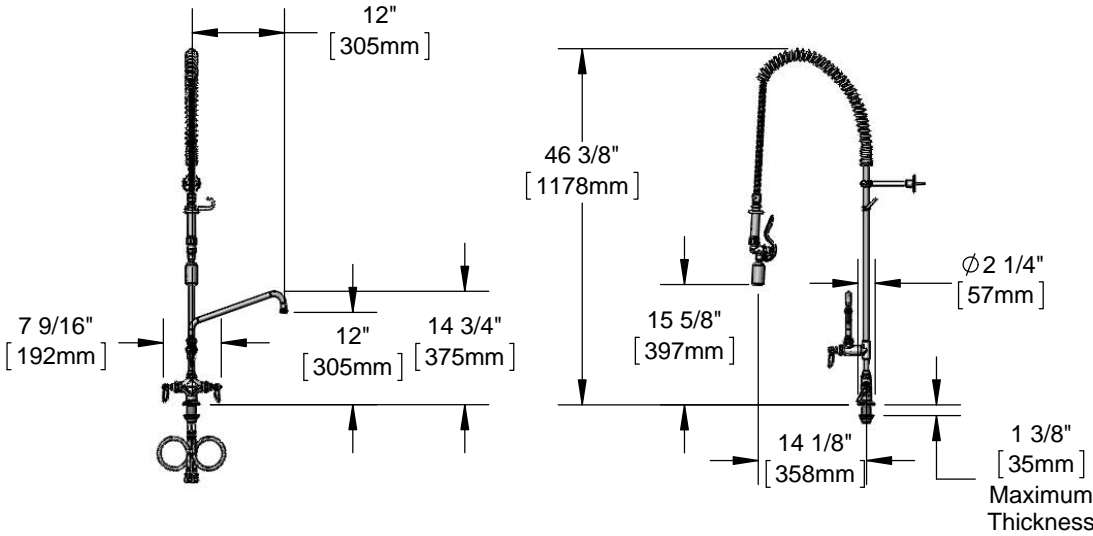




Architect/Engineering Specifications:

Single hole deck mount mixing faucet with polished chrome plated brass body, add-on faucet with compression cartridge and lever handle, 12" swing nozzle with stream regulator outlet, 24" riser, 44" flexible stainless steel hose with heat resistant handle, 1.07 GPM spray valve, compression cartridges with spring checks, lever handles, 18" flexible stainless steel supply hoses with 1/2" NPSM / 5/8" O.D. compression connections, 6" adjustable wall bracket, spray valve holder and overhead spring. Certified to ASME A112.18.1/CSA B125.1, NSF 61-Section 9 and NSF 372. EPAAct 2005 compliant.

Job Name _____
Model Specified _____ Quantity _____
Variations Specified _____
Date _____



Features & Benefits:

- Single hole deck mount mixing faucet w/ polished chrome plated brass body
• EasyInstall add-on faucet w/ polished chrome plated brass body
• 12" swing nozzle w/ stream regulator outlet, Series 1
• 24" rigid riser
• 44" flexible stainless steel hose w/ heat resistant gray handle and hold down ring
• 1.07 GPM spray valve
• Eterna cartridges with internal spring checks to prevent cross flow of water
• Lever handles w/ color coded indexes
• 18" flexible stainless steel supply hoses w/ 1/2" NPSM / 5/8" O.D. compression connections
• 6" adjustable wall bracket
• Material: Polished chrome plated brass body, & tubular nozzle, add-on faucet body, riser & spray valve, stainless steel hose and chrome plated metal handles

Product Compliance:

- ASME A112.18.1 / CSA B125.1
• NSF 61 - Section 9
• NSF 372 (Low Lead Content)
• EPAAct 2005 (PRSV)
• EPA WaterSense (PRSV)



Warranty: Three Year (Limited)

Performance Data:

- Pressure: 20 - 125 psi
• Temperature: 40°F - 140°F
• Flow Rate:
 Spray Valve: 1.07 GPM @ 60 psi
 Add-On faucet: 6.49 GPM @ 60 psi



Optional Add-On Faucet Outlets (Series 1 / VR Series 6)

Table with 3 columns: GPM, Aerated, VR Aerated (VR Laminar). Rows include GPM values 1.0, 1.5, 2.2 and corresponding faucet outlet models like B-0199-01-F10, B-0199-06-F10, etc.

Optional Cartridges With Checks

- Quarter Turn Cerama w/ Check Valve
□ Quarter Turn Eterna w/ Spring Check (Standard)

Optional Pre-Rinse Spray Valves

- B-0107 (1.42 GPM)
□ B-0107-C (0.65 GPM)
□ B-0107-J (1.07 GPM) (Standard)
□ B-0108 (1.48 GPM)
□ B-0108-C (0.65 GPM)

Optional Handles

- 4" Wrist Action
□ Lever (Standard)
□ 4-Arm

